



**I-7061(D)**

**M-7061(D)**

12-ch Power Relay Module



**I-7067(D)**

**M-7067(D)**

7-ch Signal Relay Module

### Features

- I-7061(D) and M-7061(D)
  - 12 Form A Power Relay Outputs
- I-7067(D) and M-7067(D)
  - 7 Signal Relay Outputs
- Configurable Power-on Value and Safe Value Settings
- Built-in Dual Watchdog



### Introduction

The 7061 series provides 12 power relay output channels and the 7067 series provides 7 signal relay output channels. There are options for configuring power-on and safe values. 4 kV ESD protection and 3750 Vbc intra-module isolation are also provided to enhance the noise protection capabilities in industrial environment. The "D" versions of the 7061 series provide 12 LED indicators and the "D" versions of the 7067 series provide 7 LED indicators that can be used to monitor the status of the relay output channels. The "M" versions of each series support both the Modbus RTU and DCON protocols, which can be configured via software. The 7061 series are the ideal solution for high power applications and the 7067 series are the ideal solution for small signal switching.

### System Specifications

Model	I-7000 M-7000	7061 7061D	7067 7067D
<b>CPU Module</b>			
Watchdog Timer	Module, Communication (Programmable)		
<b>Display</b>			
Type	7061D/67D: I/O LED Indicator		
<b>Isolation</b>			
Intra-module Isolation	3750 VDC	1500 VDC	
<b>EMS Protection</b>			
EFT (IEC 61000-4-4)	±4 kV for Power Line	±2 kV	
ESD (IEC 61000-4-2)	±4 kV Contact for Each Terminal ±8 kV Air for Random Point		
Surge (IEC 61000-4-5)	±3 kV for Power Line	-	
<b>LED Indicators</b>			
Status	1 x Power and Communication 7061D/67D: Relay Output		
	12	7	
<b>COM Ports</b>			
Ports	1 x RS-485		
Baud Rate	1200 ~ 115200 bps		
Data Format	(N, 8, 1), (N, 8, 2), (E, 8, 1), (O, 8, 1)		
Protocol	I-7000: DCON M-7000: Modbus RTU, DCON		
<b>Power</b>			
Reverse Polarity Protection	Yes		
Input Range	+10 ~ +30 VDC		
Consumption	1.7 W 2.3 W	1.5 W 1.9 W	

### Applications

- Building Automation
- Factory Automation
- Machine Automation
- Remote Maintenance
- Remote Diagnosis
- Testing Equipment

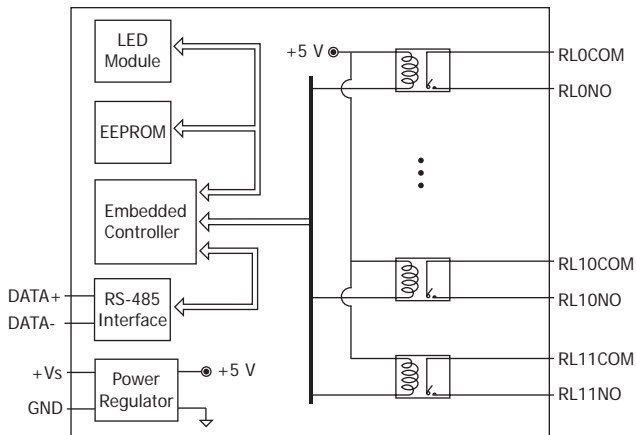
### I/O Specifications

Model	I-7000 M-7000	7061 7061D	7067 7067D
<b>Relay Output</b>			
Channels	12 (Form A)		7 (Form A)
Type	Power Relay		Signal Relay
Contact Material	Silver Tin Alloy		Gold overlay silver palladium
Contact Rating	5 A @ 250 VAC 5 A @ 30 VDC		0.5 A @ 120 VAC 1 A @ 24 VDC
Operate Time	10 ms		5 ms
Release Time	5 ms		2 ms
Electrical Endurance	1 x 10 <sup>5</sup> ops.		
Mechanical Endurance	2 x 10 <sup>7</sup> ops.		5 x 10 <sup>6</sup> ops.
Power on Value	Programmable		
Safe Value	Programmable		

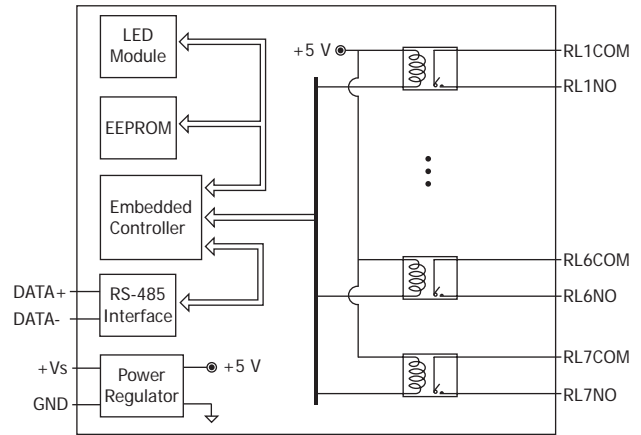
<b>Mechanical</b>	
Dimensions (mm)	72 x 123 x 35 (W x L x H)
Installation	DIN-Rail Mounting
<b>Environment</b>	
Operating Temperature	-25 ~ +75°C
Storage Temperature	-40 ~ +85°C
Humidity	10 ~ 95% RH, Non-condensing

## Internal I/O Structure

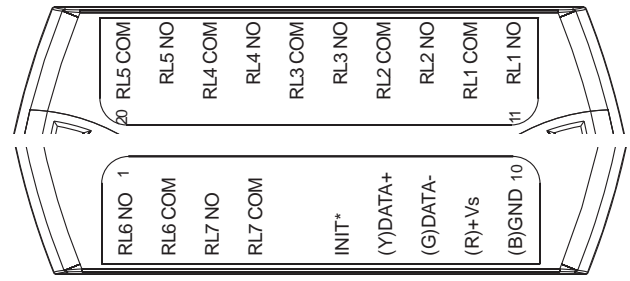
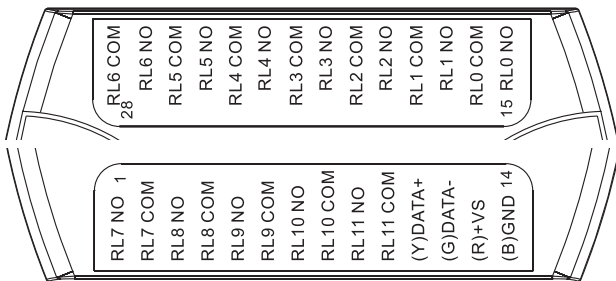
I-7061(D)/M-7061(D)



I-7067(D)/M-7067(D)



## Pin Assignments



## Wire Connections

Output Type	ON State Readback as 1	OFF State Readback as 0
Relay Output		

## Ordering Information

<b>I-7061-G CR</b>	12-ch Power Relay Module using DCON Protocol (Gray Cover) (RoHS)
<b>I-7061D-G CR</b>	12-ch Power Relay Module with LED Display using DCON Protocol (Gray Cover) (RoHS)
<b>M-7061-G CR</b>	12-ch Power Relay Module using DCON and Modbus Protocols (Gray Cover) (RoHS)
<b>M-7061D-G CR</b>	12-ch Power Relay Module with LED Display using DCON and Modbus Protocols (Gray Cover) (RoHS)
<b>I-7067 CR</b>	7-ch Signal Relay Module with DCON Protocol (Blue Cover) (RoHS)
<b>I-7067D CR</b>	7-ch Signal Relay Module with LED Display using DCON Protocol (Blue Cover) (RoHS)
<b>I-7067D-G CR</b>	7-ch Signal Relay Module with LED Display using DCON Protocol (Gray Cover) (RoHS)
<b>M-7067-G CR</b>	7-ch Signal Relay Module using DCON and Modbus Protocols (Gray Cover) (RoHS)
<b>M-7067D-G CR</b>	7-ch Signal Relay Module with LED Display, using DCON and Modbus Protocols (Gray Cover) (RoHS)

## Accessories

<b>tM-7520U CR</b>	<b>tM-7561 CR</b>	<b>tM-SG4 CR</b>	<b>I-7514U CR</b>	<b>SG-770 CR</b>
RS-232 to RS-485 Converter (RoHS)	USB to RS-485 Converter (RoHS)	RS-485 Bias and Termination Resistor Module (RoHS)	4-channel RS-485 Hub (RoHS)	7/14 channel Surge Protector (RoHS)
<b>SG-3000 Series</b>	Signal Conditioning Modules for Thermocouple, RTD, DC Voltage, DC Current and Power Input Transformers			