



Analog Input

Features

- Built-in Web Server for IF-THEN-ELSE rule setting
- Built-in IF-THEN-ELSE rule engine for logic operation
- No more programming. Just click and get done!
- Support IO, Counter, Timer, Email operations
- Modbus/TCP Protocol for SCADA Software Seamless Integration
- IEEE 802.3af-compliant Power over Ethernet (PoE)
- 10/100 Base-TX Ethernet
- AI Type: 7 RTD (Pt100, Pt1000, Ni120, Cu100, Cu1000)
- Individual Channel Configuration
- 3-wire RTD Input with Lead Resistance Elimination
- 2-way Isolation/ESD Protection



Introduction

WISE (Web Inside, Smart Engine) is a product series developed by ICP DAS that functions as control units for use in remote logic control and monitoring in various industrial applications. WISE offers a user-friendly and intuitive web site interface that allows users to implement IF-THEN-ELSE control logic on controllers just a few clicks away; no programming is required. With its powerful and easy-to-use features, it will minimize the learning curve, shorten time to market and dramatically reduce the effort and cost spent on system development.

WISE-7115 follows IEEE 802.3af-compliant (classification, Class 1) Power over Ethernet (PoE) specification. It allows receiving power from PoE enabled network by Ethernet pairs (Category 5 Ethernet cable). This feature provides greater flexibility and higher efficiency therefore simplifying systems design, saving space, reducing cables and eliminating the requirement for dedicated electrical outlets. Meanwhile, in case under a non-PoE environment, WISE-7115 will still be able to receive power from auxiliary power sources like AC adapters or battery, etc.

This module WISE-7115 supports Modbus/TCP protocol to make seamless integration with SCADA software available. It features 16-bit, 7-channel RTD inputs. Each channel is allowed to configure an individual range that supports 3-wire RTD lead resistance elimination and open wire detection for RTD measurement.

Applications

Building Automation, Factory Automation, Machine Automation, Remote Maintenance, Remote diagnosis and Testing Equipment, etc.

I/O Specifications

Analog Input	
Input Channels	7
Input Type	RTD
Wire Connection	2/3 wire
RTD Type	Pt100, Pt1000, Ni120, Cu100, Cu1000
Resolution	16-bit
Sampling Rate	12 Samples/Sec. (Total)
Accuracy	+/-0.05%
Bandwidth	15.7 Hz
Zero Drift	+/-0.5 μ V/ $^{\circ}$ C
Span Drift	+/-20 μ V/ $^{\circ}$ C
Common Mode Rejection	150 dB
Normal Mode Rejection	100 dB
Open Wire Detection	Yes
Individual Channel Configurable	Yes
3-wire RTD Lead Resistance Elimination	Yes
ESD Protection	+/-4 kV (Contact for each channel) +/-8 kV air for random point
EFT Protection	+/-4 kV for Power

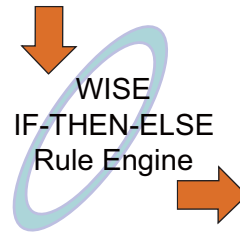
System Specifications

System	
CPU	80186 CPU (80 MHz)
SRAM	512 KB
Flash Memory	512 KB
EEPROM	16 KB
Dual Watchdog	Yes
Communication	
PoE Ethernet Port	10/100 Base-TX (With Link, Activity LED Indicator) and automatic MDI/MDI-X
2-Way Isolation	
Ethernet	1500 V _{DC}
AI	2500 V _{rms}
LED Indicators	
PoE	PoE On
L1	Run
L2	Link/Act
L3	10/100 M
Power Requirements	
IEEE 802.3af	Class 1
Required Supply Voltage	Powered by Power over Ethernet (PoE) or auxiliary power +12 V _{DC} ~ +48 V _{DC} (non-regulated)
LED Indicator	Yes
Power Consumption	0.12 A @ 24 V _{DC} Max.
Mechanical	
Dimensions (W x H x D)	72 mm x 123 mm x 35 mm
Installation	DIN-Rail or Wall mounting
Environment	
Operating Temperature	-25 $^{\circ}$ C ~ +75 $^{\circ}$ C
Storage Temperature	-30 $^{\circ}$ C ~ +80 $^{\circ}$ C
Humidity	5 ~ 90% RH, non-condensing

Software Specifications

Functions	
36 IF-THEN-ELSE Logic Rules	3 IF conditions with AND or OR operators 3 THEN actions 3 ELSE actions
48 Internal Registers	Hold temporary variables and read/write data via Modbus/TCP address.
12 Timers	Delay / Timing functions.
12 Emails	Send Email messages to pre-set Email receivers.
Rule Configuration Website	Access Web server on WISE controllers to edit and upload logic rules through web browser.
Modbus/TCP Protocol	Real time control and monitoring I/O channels and system status of controllers via SCADA software.

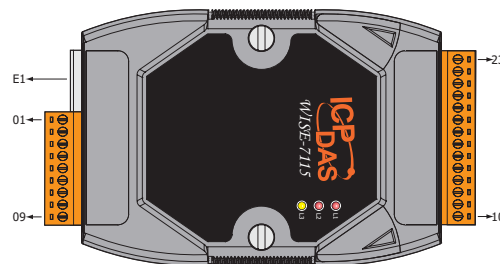
IF Conditions	
AI Channel	= > < >= <= (value)
Internal Register	
Timer	Timeout · Not Timeout



THEN / ELSE Actions	
Internal Register	Change the value
Timer	Start · Stop
Email	Send

Pin Assignment

Terminal No.	Pin Assignment
E1	RJ-45
01	RTD5+
02	RTD5-
03	AGND
04	RTD6+
05	RTD6-
06	AGND
07	N.C.
08	(R)+Vs
09	(B)GND

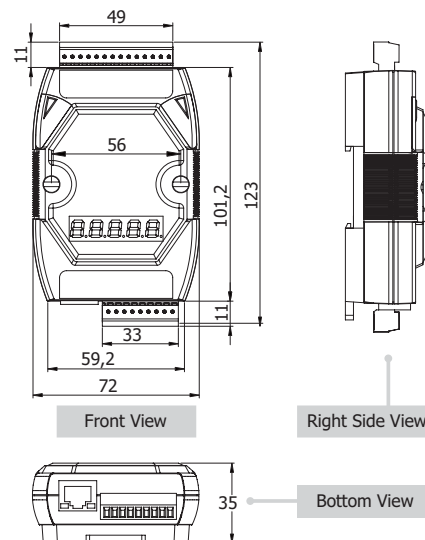


Terminal No.	Pin Assignment
23	RTD4+
22	RTD4-
21	AGND
20	RTD3-
19	RTD3+
18	AGND
17	RTD2-
16	RTD2+
15	AGND
14	RTD1-
13	RTD1+
12	AGND
11	RTD0-
10	RTD0+

Wire Connection

	CH0, 1, 2, 5 and 6	CH3 and CH4
2-Wire of RTD		
3-Wire of RTD		

Dimensions (Unit: mm)



Ordering Information

Art. No. 124073	WISE-7115	7-channel RTD Input with 3-wire RTD lead resistance elimination PoE Module (RoHS)
-----------------	-----------	---

Accessories

Art. No. 119340	GPSU06U-6	24V/0.25A, 6 W Power Supply
Art. No. 119341	MDR-20-24	24V/1A, 24 W Power Supply with DIN-Rail Mounting
Art. No. 117857	NS-205 CR	Unmanaged 5-Port Industrial Ethernet Switch (RoHS)
Art. No. 120923	NS-205PSE CR	Unmanaged 5-Port Industrial PoE Ethernet Switch (RoHS)