



VP-1231-CE7 Quick Start

Version 1.0 December 2015

Supported Modules

- VP-1231-CE7

What's in the box?

In addition to this guide, the package includes the following items:



VP-1231-CE7 and
I/O socket x 3



Touch
Panel



A microSD Card and A
microSD to SD Adapter



Software
Utility CD



RJ-45
Waterproofing Kit



Screw
Driver



Panel clip x 4



M4 x 30L
Screw x 4

Technical Support

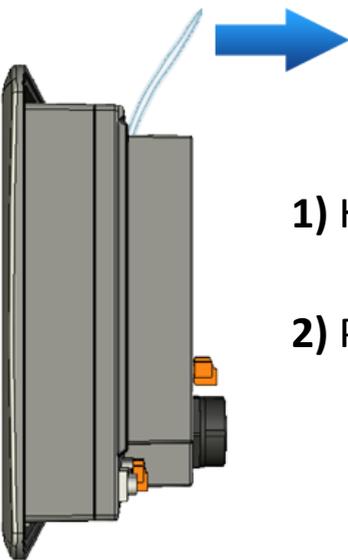
VP-1231-CE7 User Manual:

CD:\WinPAC_AM335x\VP-x231\Document\

ftp://ftp.icpdas.com/pub/cd/winpac_am335x/vp-x231/document/

1 Removing the Slot Cover

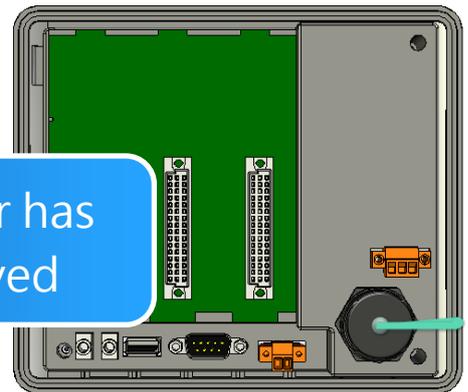
The VP-1231-CE7 has a slot cover to protect the internal components from damage during shipping. Before starting any installation, please first remove the slot cover.



1) Hold the top of VP-1231-CE7.

2) Pull the plastic wrap.

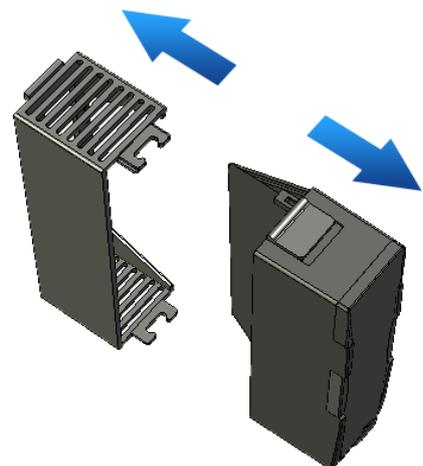
The slot cover has been removed



2 Installing Expansion I/O Sockets

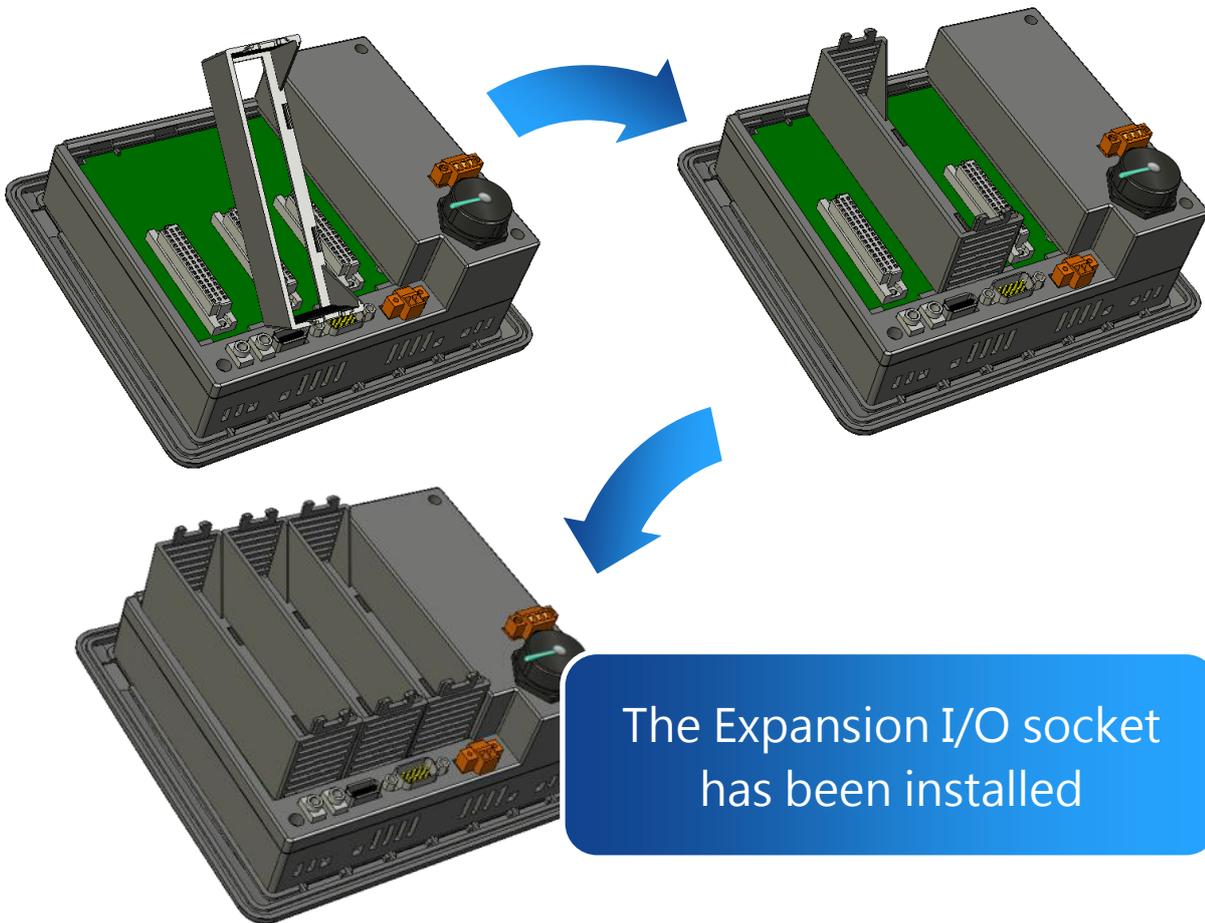
The case (a socket and a top case) is included in the package.

1) Take the socket out from the case.



2) Padlock the bottom of the socket into the VP-1231-CE7.

3) Slide the socket into the VP-1231-CE7 until it clicks.



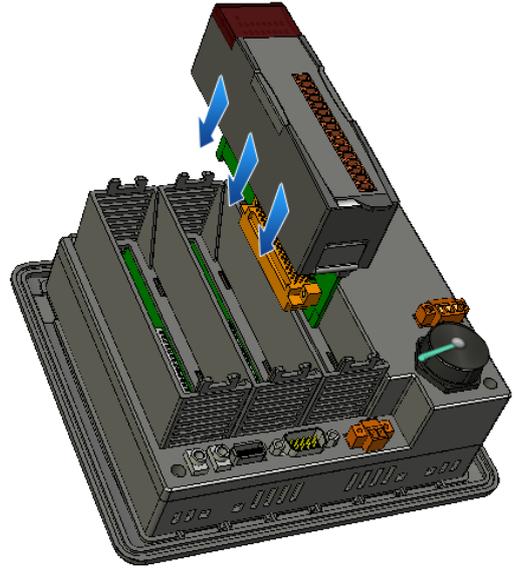
3 Inserting the I/O Module

VP-1231-CE7 supports various types of I/O expansion modules for interfacing many different field devices.

For more information about I/O expansion modules, please refer to:

http://www.icpdas.com/products/PAC/winpac/io_support_list.htm

- 1) Hold the I/O module vertically and align the socket.
- 2) Carefully press the I/O module onto the socket.



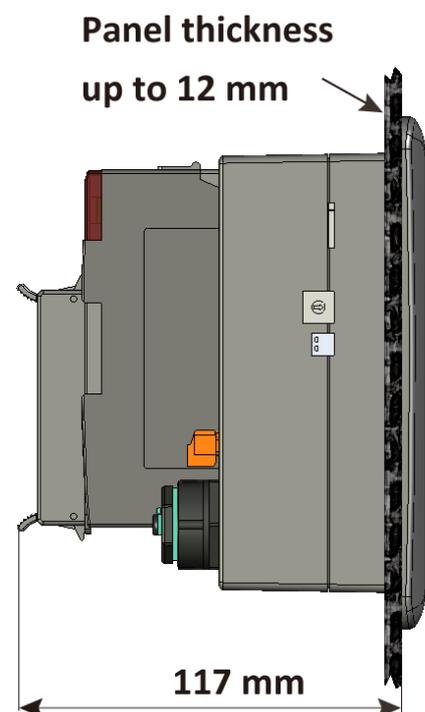
Tips & Warnings



If you do not expand the I/O module full, please keep the top case of the unused slot to protect the backplane from dirt, dust and damage from foreign objects.

4 Mounting the VP-1231-CE7

VP-1231-CE7 can be mounted on a panel of maximum thickness 12 mm. Adequate access space can be available at the rear of the instrument panel for wiring and servicing purposes.



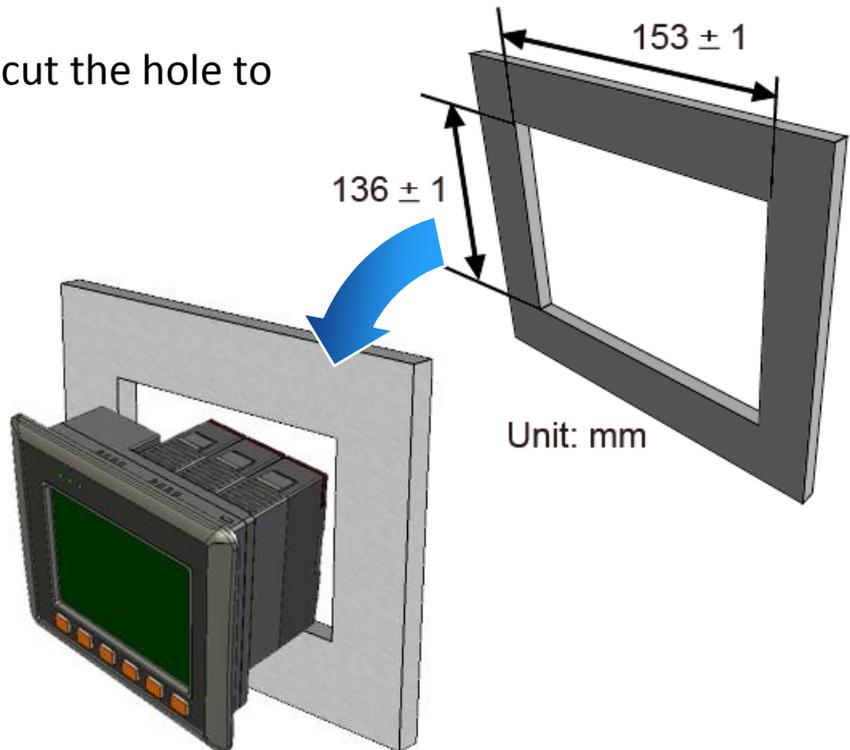
Tips & Warnings



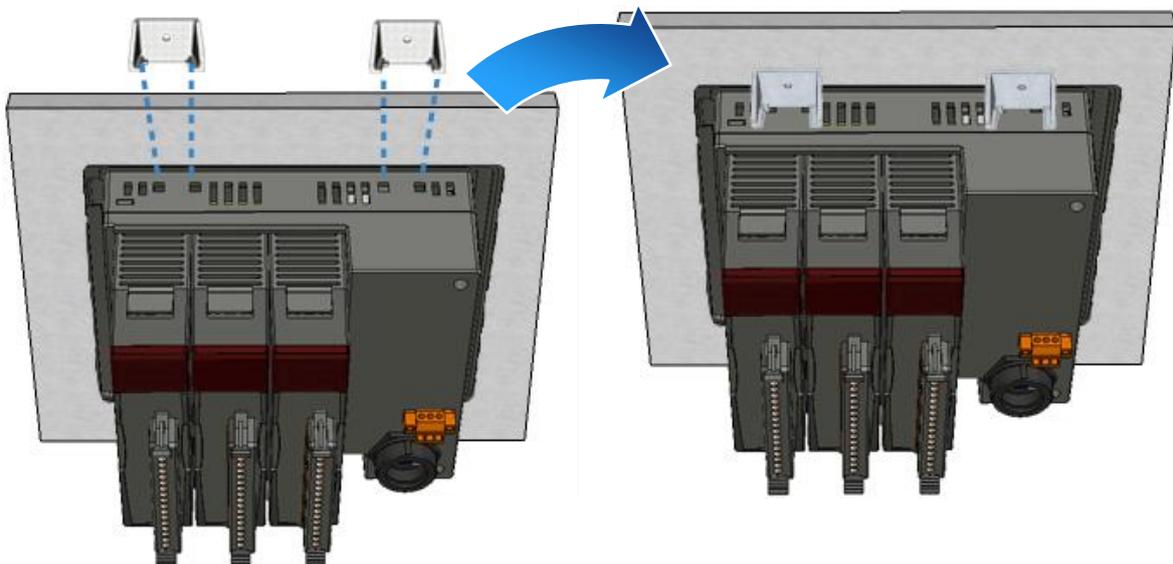
To ensure proper ventilation for the VP-1231-CE7, leave a minimum of 50mm space between the top and bottom edges of the VP-1231-CE7 and the enclosure panels.

1) Prepare the panel and cut the hole to the specified size.

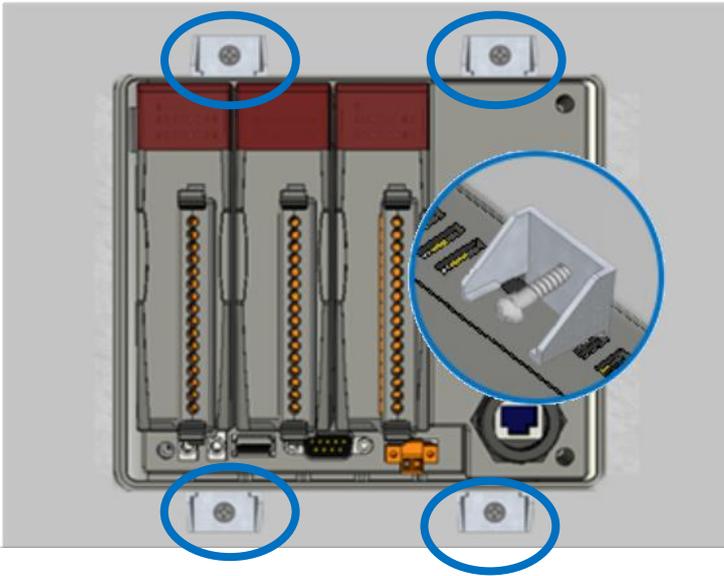
2) Attach the VP-1231-CE7 to the cut-out hole.



3) Insert the panel mounting clips into the upper and lower ventilation holes.



4) Screw the panel mounting clips to the panel.

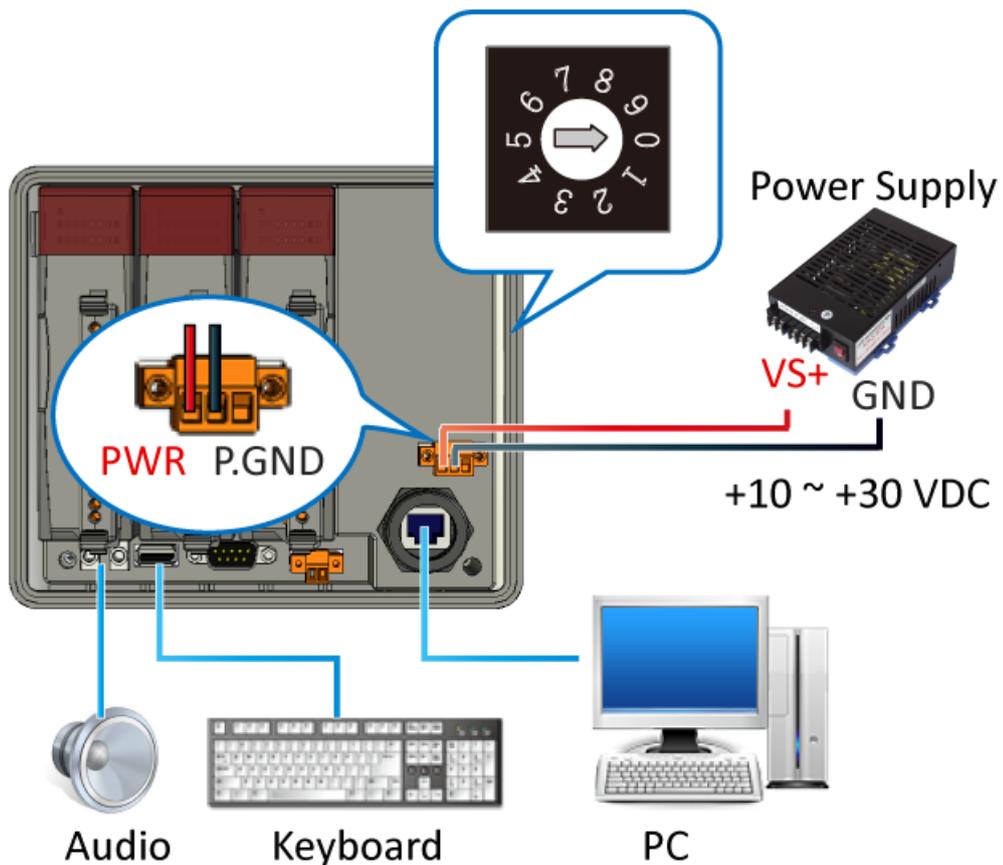


Tips & Warnings



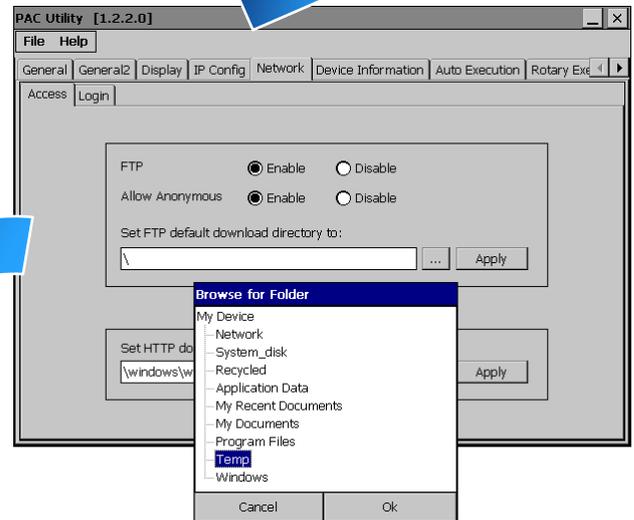
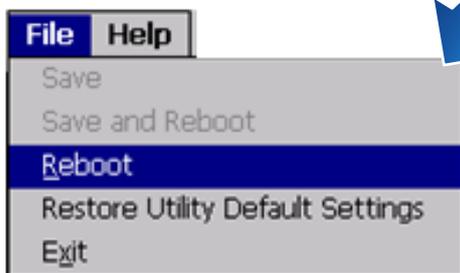
Recommended
Screw Torque:
3.4 ~ 4.5 kgf-cm.

5 Configuring the Boot Mode and Connecting to PC, Monitor and Power Supply



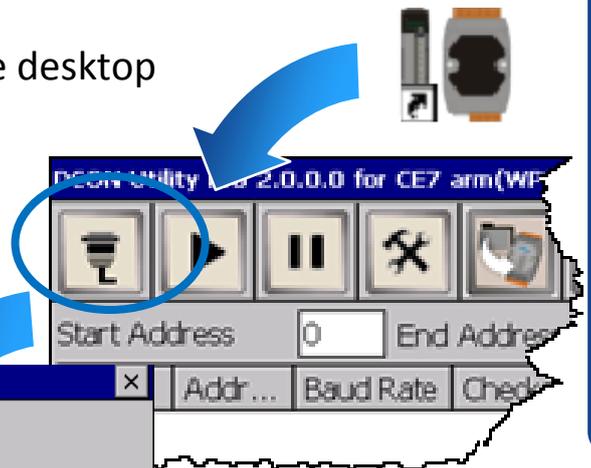
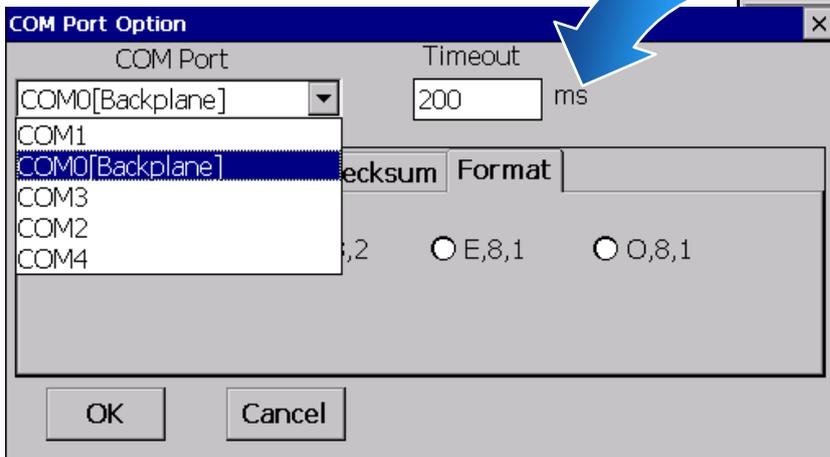
6 Using PAC Utility to Manage the VP-1231-CE7

- 1) Double-click the PAC Utility on the desktop
- 2) Configure IP address (DHCP), FTP Server, Auto Execution files..., etc
- 3) Reboot the VP-1231-CE7 for changes to take effect



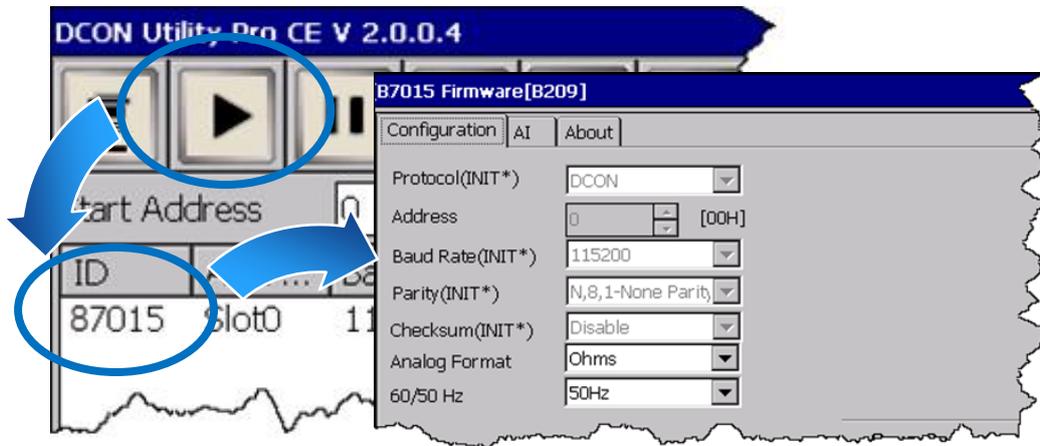
7 Using DCON Utility Pro to Configure I/O Modules

- 1) Double-click the DCON Utility Pro on the desktop
- 2) Click the  button
- 3) Configure the communication settings

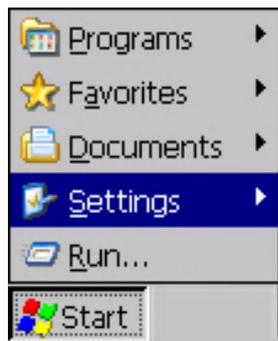


2) Click the  button

3) Click the module name to configure the I/O module



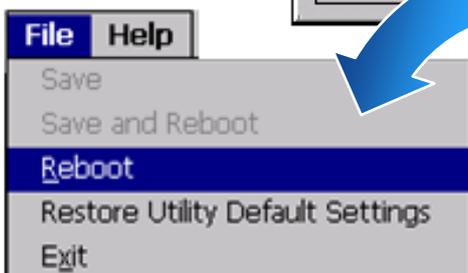
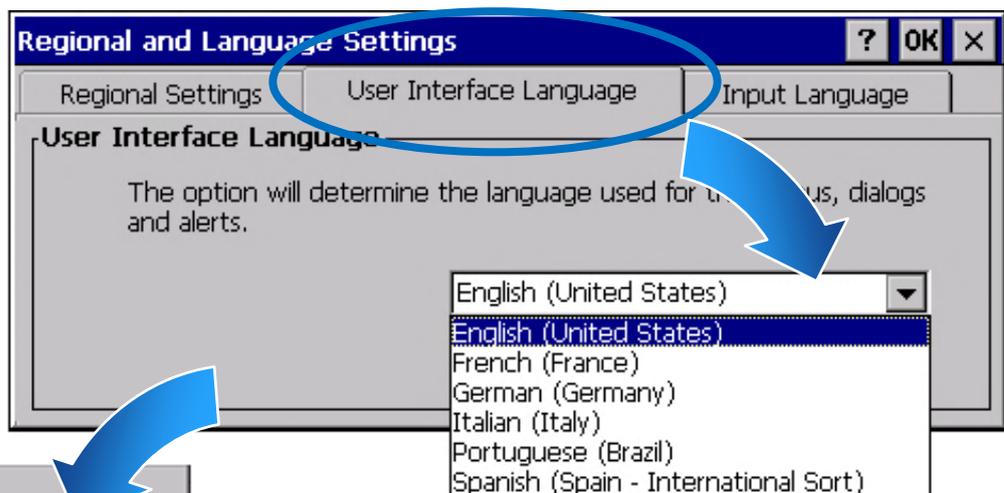
8 Changing the User Interface Language



1) Click Start menu, point to Settings, click Control Panel, and then click Regional Settings



2) Click User Interface Language tab, choose to your local language, and then click OK



3) Run the PAC Utility, and then reboot the VP-1231-CE7 for changes to take effect