



**Features**

- Windows Embedded Standard 7
- x86 CPU, 1 GHz, dual-core
- SQL Server 2008 Express Edition
- Rich I/O Expansion Ability (RS-232/RS-485, FRnet,CAN)
- VGA Port Output
- Support eLogger HMI
- Redundant Power Inputs
- Operating Temperature: -25 ~ +75°C

**Introduction**

The XP-8000-WES7 are WES7 based PACs that combine computing, I/O, and operator interface into a single unit, and provide the perfect solution for integrating HMI, data acquisition and control in an individual PAC. It is equipped with a x86 (1 GHz, dual-core) CPU, 1/3/7 I/O expansion slot(s) and a variety of connectives including dual Gigabit Ethernet, VGA, USB port, RS-232 and RS-485 interface. Local I/O slots are available to use our I-8K and I-87K series I/O modules and remote I/O expansions are available to use our Ethernet I/O modules and RS-485 I/O modules.

Since WES7 has the same Win32 API as Windows 7, most popular applications on desktop can run on WES7 based PACs.

**Windows Embedded Standard OS**

Most of the popular features in Windows software are included, such as EWF (Enhanced Write Filter), Remote Desktop Connection, IIS, ASP/ASP.NET, SQL Server 2008 Express Edition, .NET Framework 3.5/4.5 and also supports rich development software solutions, such as VS 6.0, VS.NET 2005/2008, VB, Delphi, BCB, InduSoft.



The key features are

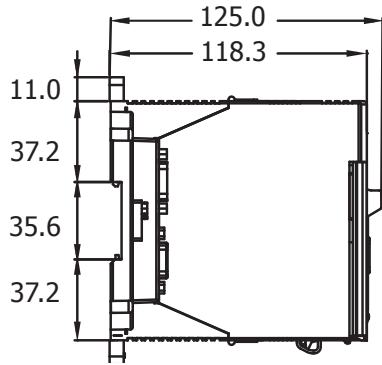
- Full Win32 API
- Remote Desktop Protocol 5.1
- Silverlight 4.0
- Enhanced Write Filter
- MS SQL Server 2008 Express
- Microsoft .NET Framework 3.5/4.5

## ■ Specifications

Models	XP-8131-WES7	XP-8331-WES7	XP-8771-WES7
<b>System Software</b>			
<b>OS</b>	Windows Embedded Standard 7		
.Net Compact Framework	4.5		
Embedded Service	FTP Server, IIS 5.1, ASP (Java Script, VB Script), SQL Server 2008		
SDK Provided	DII for Visual Studio .Net 2005/2008		
Multi-Language Support	English, German, French, Spanish, Russian, Italian, Czech, Japanese, Korean, Simplified Chinese, Traditional Chinese		
<b>CPU Module</b>			
CPU	x86 CPU, 1 GHz, dual-core		
System Memory	2 GB DDR3		
Dual Battery Backup SRAM	512 KB; data valid up to 5 years		
Flash	32 GB		
EEPROM	16 KB		
CF Card	8 GB (support up to 32 GB)		
RTC (Real Time Clock)	Provide second, minute, hour, date, day of week, month, year		
Programmable LED Indicator	2		
Hardware Serial Number	Yes, 64-bits for Software Copy Protection		
Dual Watchdog Timers	Yes		
Rotary Switch	Yes (0 to 9)		
DIP Switch	Yes (8 bits)		
Audio	Microphone-In and Earphone-Out		
<b>VGA &amp; Communication Ports</b>			
VGA	Yes, (resolution: 1024 x 768, 800 x 600 , 640 x 480)		
Ethernet (Giga bit)	RJ-45 x 2, 10/100/1000 Base-T (Auto-negotiating, Auto MDI/MDI-X, LED indicators)		
USB 2.0	4		
COM 1	Internal communication with the high profile I-87K series modules in slots		
COM 2	RS-232 (RxD, TxD and GND); non-isolated		
COM 3	RS-485 (Data+, Data-) with internal self-tuner ASIC; 3000 Vdc isolated		
COM 4	RS-232/RS-485 (RxD, TxD, CTS, RTS and GND for RS-232, Data+ and Data- for RS-485); non-isolated		
COM 5	RS-232 (RxD, TxD, CTS, RTS, DSR, DTR, CD, RI and GND); non-isolated		
<b>I/O Expansion Slots</b>			
Slot Number	1	3	7
<b>Mechanical</b>			
Dimensions, unit: mm (W x L x H)	169 x 132 x 125	231 x 132 x 125	355 x 132 x 125
Installation	DIN-Rail or Wall Mounting		
<b>Environmental</b>			
Operating Temperature	-25 to +75°C		
Storage Temperature	-30 to +80°C		
Ambient Relative Humidity	10 to 90 % RH, non-condensing		
<b>Power</b>			
Input Range	+10 to +30 Vdc		
Isolation	1 kV		
Redundant Power Inputs	Yes, with one power relay (1 A @ 24 Vdc) for alarm		
Capacity	25 W	30 W	35 W
Consumption	16.6 W	16.8 W	18 W

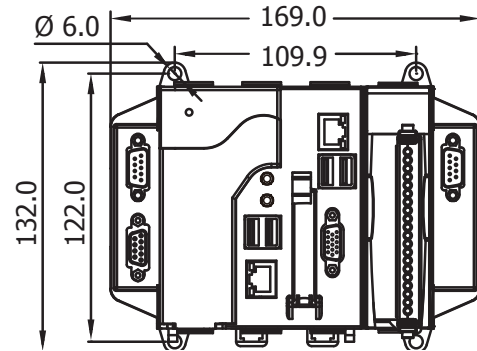
**Dimensions**

Side View



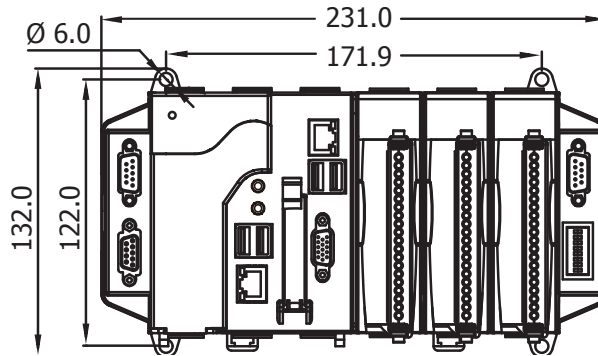
Front View

XP-8131-WES7



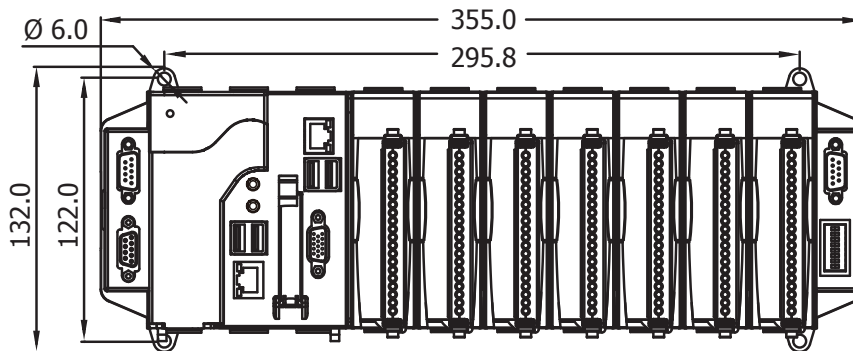
Front View

XP-8331-WES7



Front View

XP-8731-WES7



**Ordering Information**

<b>XP-8131-WES7</b>	Standard XP-8000 with x86 CPU, WES7 OS, and 1 I/O Slot (RoHS)
<b>XP-8331-WES7</b>	Standard XP-8000 with x86 CPU, WES7 OS, and 3 I/O Slots (RoHS)
<b>XP-8731-WES7</b>	Standard XP-8000 with x86 CPU, WES7 OS, and 7 I/O Slots (RoHS)